

# Dimensioning template for Stabilix® C

	Side 1	Side 2	Side 3	Side 4
Closed side*	<input type="checkbox"/>	<input type="checkbox"/>	<input type="checkbox"/>	<input type="checkbox"/>
Bracing wanted*	<input type="checkbox"/>	<input type="checkbox"/>	<input type="checkbox"/>	<input type="checkbox"/>

Attached to external building\*  Yes, side:   No

Length carport\*  $L_c$   m

### Strut

Height carport\*  $L_s$   m  
 Width strut (min: 0,09 m)\*  $B_s$   m  
 Height Strut (min: 0,09 m, max: 0,16 m)\*  $H_s$   m

### Beam

Width carport\*  $L_t$   m  
 Width beam (min: 0,09 m)\*  $B_t$   m  
 Height Beam (min: 0,10 m)\*  $H_t$   m

### Roof

Roof shape\*  Saddleback roof  Flat roof/Pent roof

First direction parallel to side\*

Own weight of roof incl. beam\*  $g_k$   kN/m<sup>2</sup>

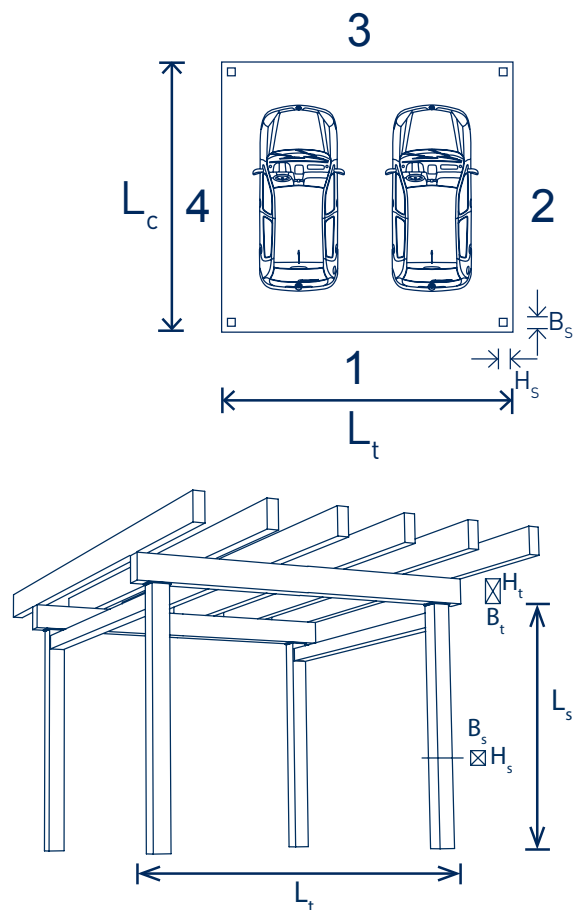
Height of roof structure incl. rafters\*  m

Type of roof covering\*  smooth  wavy/trapezoidal

Roof pitch\*  $\alpha$   °

Characteristic snow load\*  $S_k$   kN/m<sup>2</sup>

Base wind velocity pressure\*  $q_{b,0}$   kN/m<sup>2</sup>



Building projects\*:

Postcode\*:  Place\*:

Contact person\*:

Company\*:

Telephone\*:

E-Mail\*:

**Please attach a map or sketch!**  
 \*Please fill out completely, otherwise dimensioning is not possible!